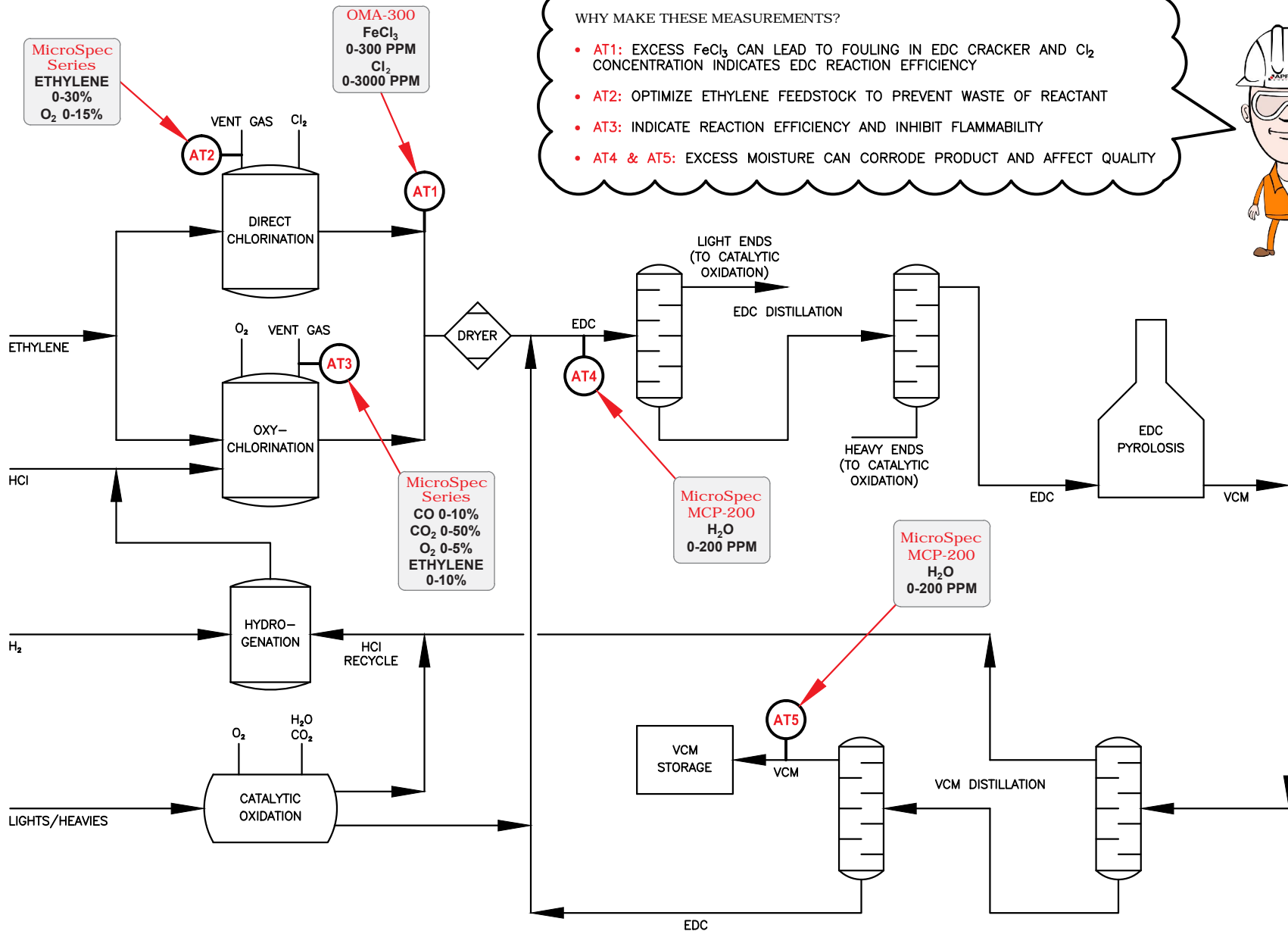


AAI ANALYZERS IN ETHYLENE DICHLORIDE (EDC) / VINYL CHLORIDE MONOMER (VCM) PRODUCTION



WHY MAKE THESE MEASUREMENTS?

- **AT1:** EXCESS FeCl₃ CAN LEAD TO FOULING IN EDC CRACKER AND Cl₂ CONCENTRATION INDICATES EDC REACTION EFFICIENCY
- **AT2:** OPTIMIZE ETHYLENE FEEDSTOCK TO PREVENT WASTE OF REACTANT
- **AT3:** INDICATE REACTION EFFICIENCY AND INHIBIT FLAMMABILITY
- **AT4 & AT5:** EXCESS MOISTURE CAN CORRODE PRODUCT AND AFFECT QUALITY

